

hotslot®

Nozzle heater with power distribution

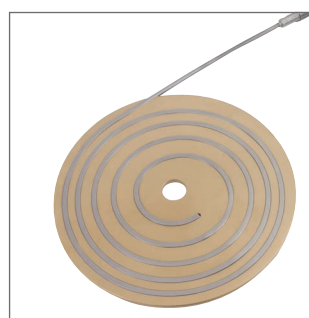
- Pressed-in coil heater with user-defined groove profile
- Reproducible power distribution
- Minimal wall thickness for reduced clearances
- Lowest power available in the middle of a nozzle
- Brass as cylinder raw material
- Same connection options as hotspring coil heaters



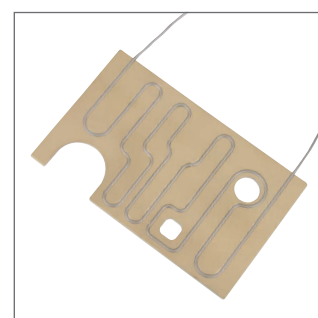
Technical key features

hotslot cylinder material	brass
Heater sheath material	stainless steel
Lowest wall thickness	1.5 mm
Sheath temperature of heater	max. 450 °C / 840 °F
Standard connection voltage	230 V
High voltage test*	800 V AC
Insulation resistance*	≥ 5 MOhm at 500 V DC
Leakage current*	< 0.5 mA at 253 V AC
Wattage tolerance	± 10 %
Length tolerance	± 0.5 mm
Inner diameter tolerance	+ 0.05 mm
Length unheated zone of coiled heater	min. 25 mm
Length tolerance of unheated zone	± 5 %, min. ± 15 mm

* tested at environmental temperature



flat heating element with power distribution



flat heating element with separate coil



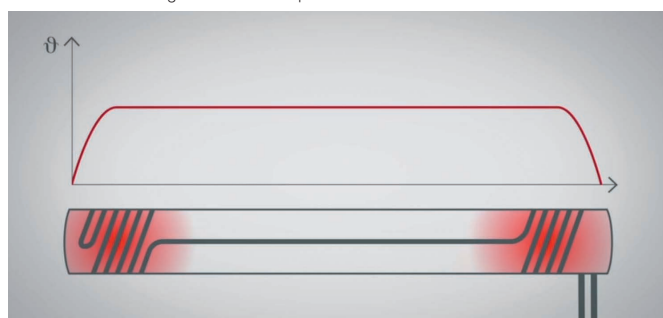
cylinder tube to insert a changeable thermocouple



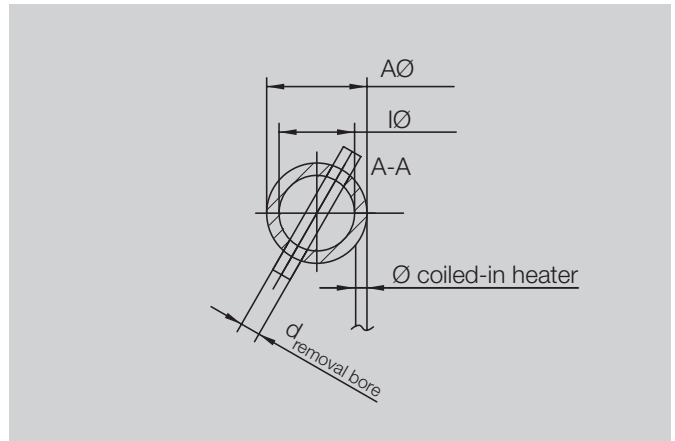
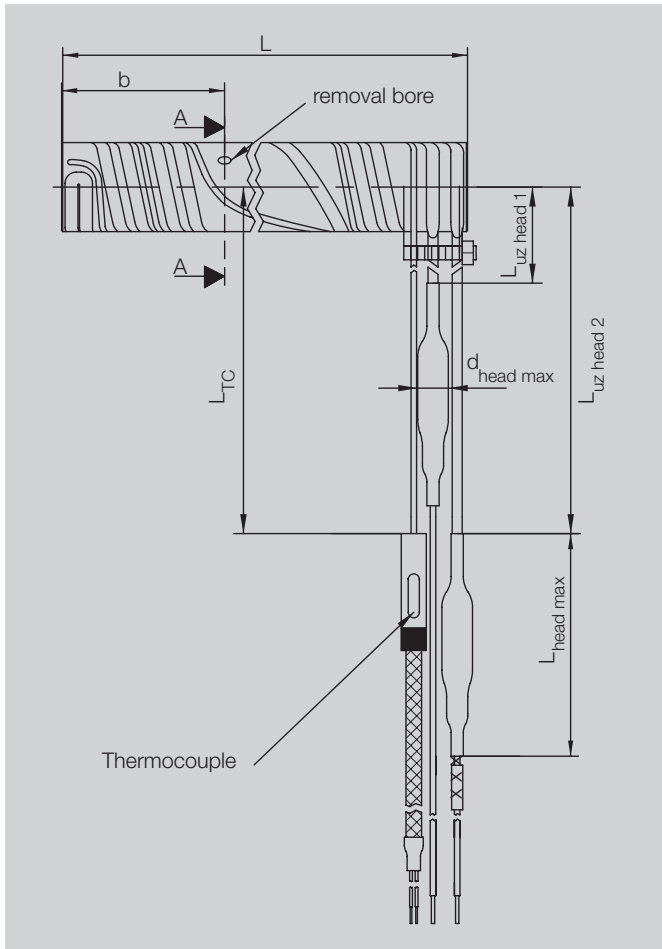
lowest wall thickness

Options

- H7 inner diameter tolerance available
- Surface thermocouple
- hotslot-cylinder with slot to insert a changeable thermocouple
- Various plate configurations with cut-outs or bores available
- Connection voltage from 12 V to 250 V
- Serpentine coil
- individual length and wattage



reproducible and uniform power distribution



Type	Ø inner d _i	Wall thick- ness min.	Length min./max.	Wattage* P _{max}
hotslot Micro	5 to 25 mm	1.5 mm	25 to 250 mm	400 W
hotslot Mini	7 to 75 mm	2.0 mm	25 to 250 mm	700 W

*Wattage depends on length, diameter and power distribution

Stock range hotslot® Mini

Item	Length L _{-0.4} [mm]	Ø inner [mm] (H7)	Ø outer [mm]	Wattage P [W]	Power distribution		b [mm]
					Bottom [mm] %	Head [mm] %	
7803100	35.0	10.0 ^{+0.015}	13.5 ^{+0.2/-0.1}	200	13.0 45	13.5 45	16.0 ^{±0.5}
7803101	55.0	10.0 ^{+0.015}	13.5 ^{+0.2/-0.1}	250	16.0 40	16.5 40	19.0 ^{±0.5}
7803102	75.0	10.0 ^{+0.015}	13.5 ^{+0.2/-0.1}	300	16.0 37	16.5 37	20.0 ^{±0.5}
7803103	95.0	10.0 ^{+0.015}	13.5 ^{+0.2/-0.1}	400	19.5 37	20.0 37	25.0 ^{±0.5}
7803104	115.0	10.0 ^{+0.015}	13.5 ^{+0.2/-0.1}	450	23.0 36	24.0 36	28.0 ^{±0.5}
7803105	135.0	10.0 ^{+0.015}	13.5 ^{+0.2/-0.1}	500	23.0 34	24.0 34	30.0 ^{±0.5}
7803106	155.0	10.0 ^{+0.015}	13.5 ^{+0.2/-0.1}	550	23.0 33	24.0 32	30.0 ^{±0.5}
7803107	35.0	12.0 ^{+0.018}	15.5 ^{+0.2/-0.1}	225	13.0 46	13.5 45	16.0 ^{±0.5}
7803108	55.0	12.0 ^{+0.018}	15.5 ^{+0.2/-0.1}	250	15.5 41	16.5 41	19.0 ^{±0.5}
7803109	75.0	12.0 ^{+0.018}	15.5 ^{+0.2/-0.1}	300	15.5 38	16.5 38	20.0 ^{±0.5}
7803110	95.0	12.0 ^{+0.018}	15.5 ^{+0.2/-0.1}	400	19.5 38	20.0 38	25.0 ^{±0.5}
7803111	115.0	12.0 ^{+0.018}	15.5 ^{+0.2/-0.1}	450	23.0 39	24.0 38	28.0 ^{±0.5}
7803112	135.0	12.0 ^{+0.018}	15.5 ^{+0.2/-0.1}	500	23.0 37	24.0 36	30.0 ^{±0.5}
7803113	155.0	12.0 ^{+0.018}	15.5 ^{+0.2/-0.1}	550	23.0 34	24.0 34	30.0 ^{±0.5}

Dimensions products stock range hotslot® Mini

L _{uz head1}	65 ^{±15} mm	L _{TC}	115 ^{±35} mm
L _{uz head2}	115 ^{±15} mm	d _{head max}	5.5 mm
L _{head max}	40 mm	d _{removal bore}	3.2 ^{±0.1} mm

Thermocouple Type L (Fe-CuNi), Ø 1.0 mm (RD/BL), ungrounded

Connection CU-Ni-lead (BK/WH), PTFE-isolated, 2000 mm, max 260°C / 500°F, braided metal sleeving